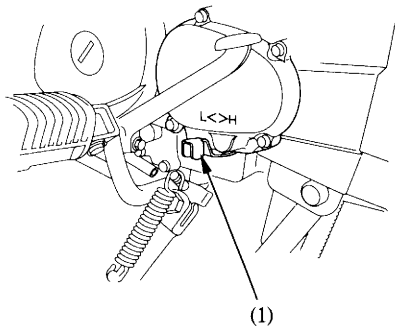


High-Low Speed Range Selector Lever (UB,NZ type)

The speed range selector lever (1) is located on the left crankcase cover at the bottom side of the posi-torque cover. When additional power is required for climbing a steep grade or riding with a heavy load, shifting the selector lever to the “L” range will provide the necessary power.

To shift posi – torque:

1. Stop the engine.
2. Place main transmission in neutral.
3. Move rear wheel fast by hand while turning selector lever.



(1) Speed range selector lever