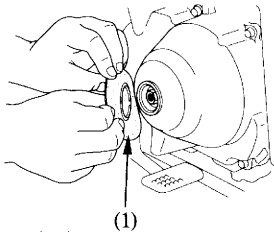


CLUTCH

Adjustment:

1. The clutch is adjusted with the engine off.
Remove the cover protector (1) and loosen the adjuster lock nut (2).
2. Turn the clutch adjuster (3) clockwise one turn; do not turn excessively.
3. Slowly turn the adjuster counterclockwise until a slight resistance is felt.
4. From this position, turn the adjuster clockwise 1/8 turn, and tighten the lock nut.
5. After adjustment, test ride the motorcycle to be certain the clutch operates properly.

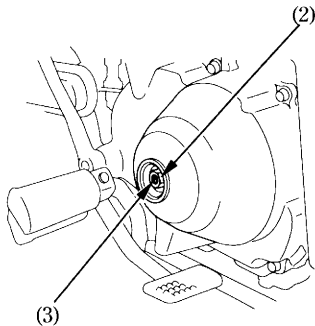


(1) Cover protector

The engine should start easily with the kickstarter without the clutch slipping. When shifting gears, the clutch operation should be smooth and light, especially when shifting into neutral.

NOTE:

- * If proper adjustment cannot be obtained or the clutch does not work correctly, see your Honda dealer.



(2) Lock nut
(3) Clutch adjuster