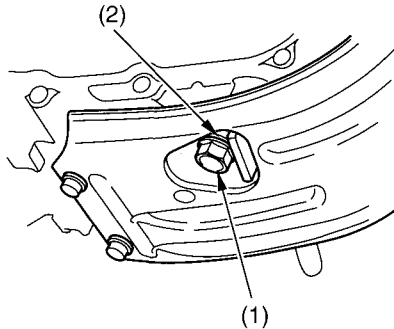


8. Insert the oil filler cap/dipstick and screw it in tightly.
9. Check for oil leaks.

Changing Engine Oil

UNDER



- (1) oil drain bolt
(2) sealing washer

1. If the engine is cold, start it and let it idle for 3-5 minutes. Turn the engine off. Wait 2-3 minutes for the oil to settle.
2. Park your motorcycle on a firm, level surface.
3. Remove the oil filler cap/dipstick.
4. Place a drain pan under the crankcase.
5. Unscrew and remove the oil drain bolt (1).
6. After most of the oil is drained, gently tilt the motorcycle from side to side to drain the remaining oil.
7. Pour the drained oil into a suitable container and dispose of it in an approved manner (page 117).

NOTICE

Improper disposal of drained fluids is harmful to the environment.

(cont'd)