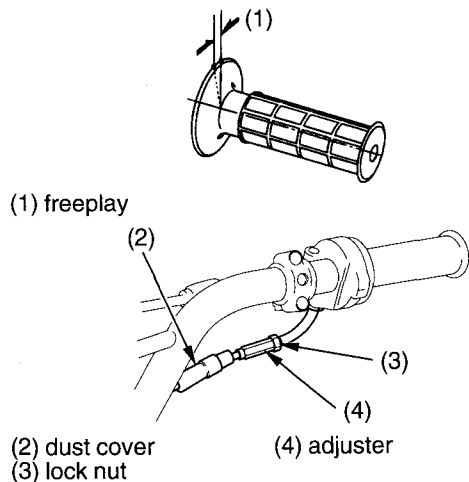


Refer to *Safety Precautions* on page 43.

Throttle Freeplay

RIGHT SIDE



Inspection

Check freeplay (1).

Freeplay: $1/16 - 1/4$ in (2–6 mm)

If necessary, adjust to the specified range.

Adjustment

1. Pull the rubber dust cover (2) back.
2. Loosen the lock nut (3) on the throttle cable mechanism.
3. Turn the adjuster (4).
4. Tighten the lock nut. Return the dust cover to its normal position.
5. After adjustment, check for smooth rotation of the throttle grip from fully closed to fully open in all steering positions.

If you can't get the freeplay within the specified range, contact your Honda dealer.