

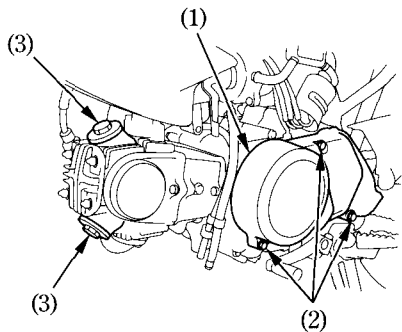
VALVE CLEARANCE

Refer to the Safety Precautions on page 43 .

Excessive valve clearance will cause noise and eventual engine damage. Little or no clearance will prevent the valve from closing and cause valve damage and power loss. Check valve clearance when the engine is cold at the specified intervals.

The checking or adjusting of the clearance should be performed while the engine is cold. The clearance will change as the engine temperature rises.

1. Remove the left crankcase cover (1) by removing the bolts (2).
2. Remove the adjusting hole caps (3).



- (1) Left crankcase cover
- (2) Bolts
- (3) Adjusting hole caps