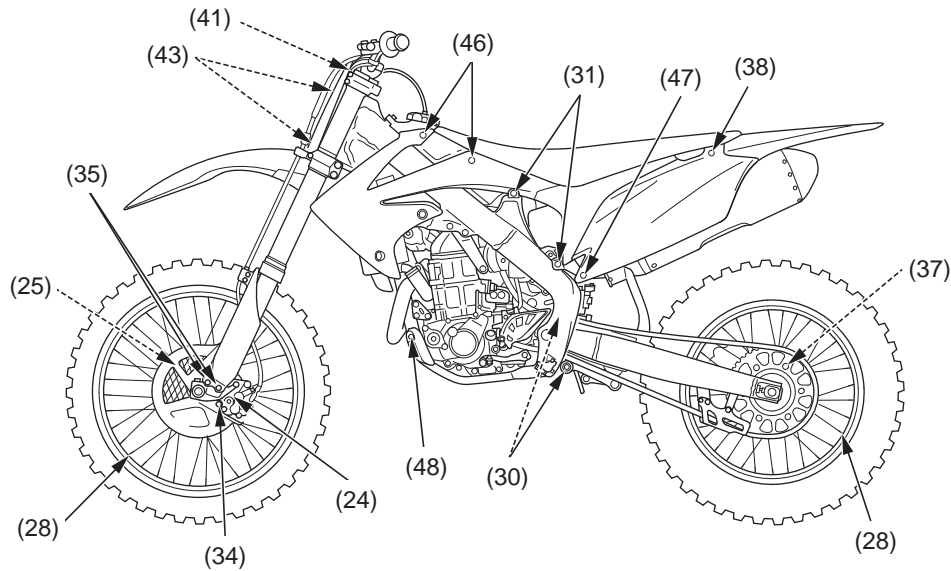
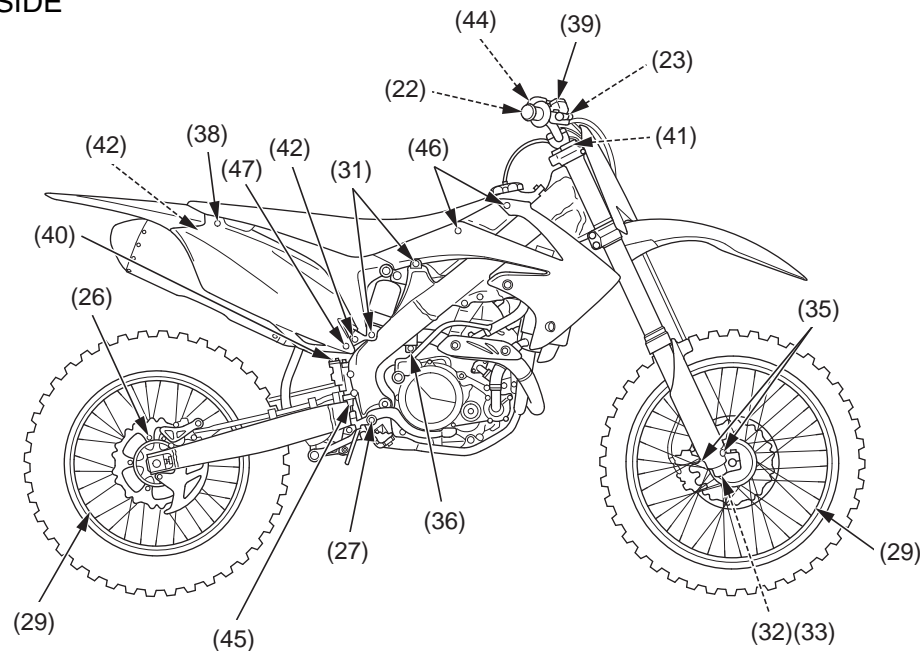


Torque Specifications

LEFT SIDE



RIGHT SIDE



FRAME

Item	Torque			Remarks	
	N•m	kgf•m	lbf•ft		
22	Front brake master cylinder holder bolts	9.9	1.0	7.3	
23	Brake hose oil bolts	34	3.5	25	
24	Front brake caliper mounting bolts	30	3.1	22	NOTE 5
25	Front brake disc nuts	16	1.6	12	NOTE 1
26	Rear brake disc nuts	16	1.6	12	NOTE 1
27	Brake pedal pivot bolt	36	3.7	27	NOTE 5
28	Spokes				
	(front)	3.7	0.4	2.7	
	(rear)	3.7	0.4	2.7	
29	Rim locks	12	1.2	9	
30	Drive chain roller				
	(upper)	12	1.2	9	NOTE 4
	(lower)	12	1.2	9	NOTE 1
31	Subframe bolts				
	(upper)	33	3.4	24	
	(Lower-left)	33	3.4	24	
	(Lower-right)	49	5.0	36	
32	Fork centre bolt	55	5.6	41	NOTE 3
33	Fork centre bolt lock nut	29	3.0	21	
34	Disc cover bolt	13	1.3	10	
35	Fork protector socket bolts	7	0.7	5.2	NOTE 5
36	Muffler clamp bolt	21	2.1	15	
37	Driven sprocket nuts	32	3.3	24	NOTE 1
38	Seat mounting bolts	26	2.7	19	
39	Front brake reservoir cap screws	1.0	0.1	0.7	
40	Rear brake reservoir cap bolts	1.0	0.1	0.7	
41	Fork air pressure release screw	1.2	0.1	0.9	
42	Muffler mounting A, B bolts				
	Front side	26	2.7	19	
	Rear side	26	2.7	19	
43	Steering damper mounting bolts	20	2.0	15	NOTE 5
44	Throttle cable adjuster lock nuts	4	0.4	3.0	
45	Rear master cylinder push rod lock nut	5.9	0.6	4.4	
46	Shroud B bolts (upper)	5	0.5	3.7	
47	Side cover bolts	10	1.0	7	
48	Left engine guard bolt/washer	10	1.0	7	

- NOTES: 1. U-nut
 2. UBS nut
 3. Apply a locking agent to the threads.
 4. SH bolt
 5. Alock bolt: replace with a new one.