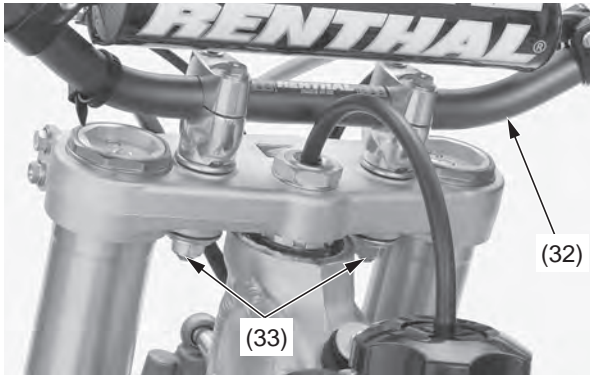


Front Suspension Adjustments

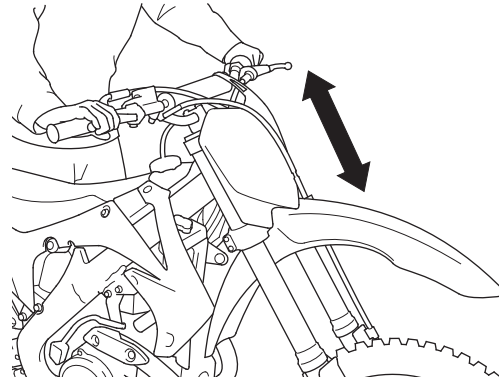
28. Install the handlebar (32), mounting rubbers, washers and handlebar lower holder nuts (33) and tighten the handlebar holder nuts to the specified torque:
44 N·m (4.5 kgf·m, 32 lbf·ft)



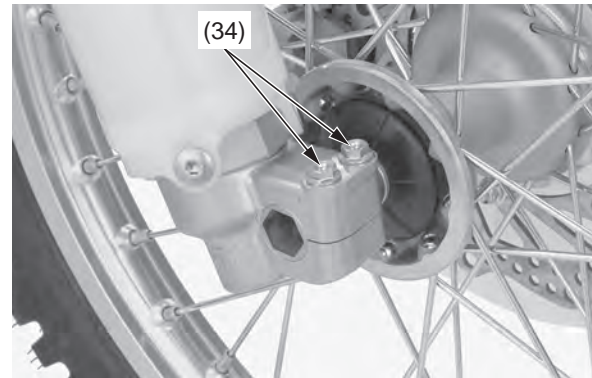
(32) handlebar
(33) mounting rubbers, washers and handlebar lower holder nuts

29. Install the number plate (page 109).

30. With the front brake applied, pump the fork up and down several times to seat the axle and check front brake operation.



31. While keeping the forks parallel, alternately tighten the right axle pinch bolts (34) to the specified torque:
20 N·m (2.0 kgf·m, 15 lbf·ft)

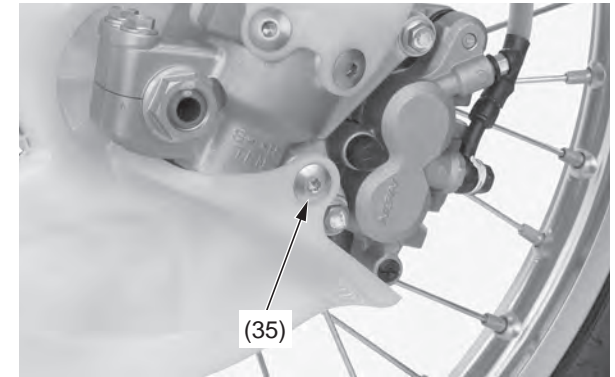


(34) right axle pinch bolts

NOTICE

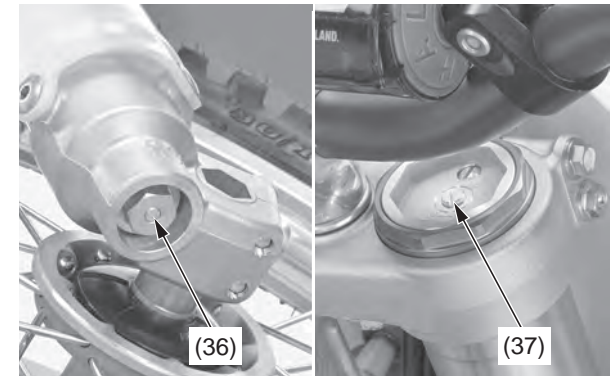
To avoid damage when torquing the axle pinch bolts, be sure the axle is seated firmly onto the left fork leg clamp inner surface.

32. Install and tighten the disc cover socket bolt (35) to the specified torque:
13 N·m (1.3 kgf·m, 10 lbf·ft)



(35) disc cover socket bolt

33. Turn the rebound damping (36) and compression damping (37) adjuster screws back to their original settings.



(36) rebound damping adjuster
(37) compression damping adjuster