

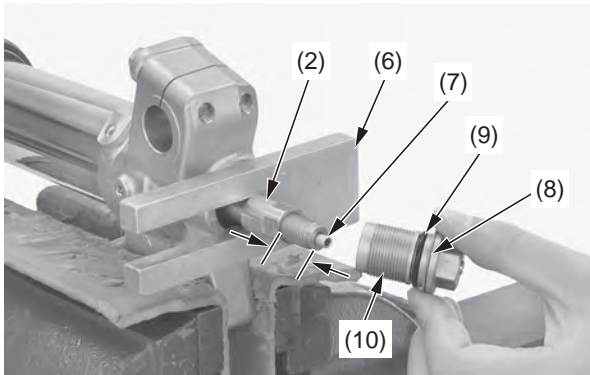
Front Suspension Adjustments

- Place the lower end (axle holder) of the slider in a vise with a piece of wood or soft jaws to avoid to damage.

NOTICE

Over-tightening the vise can damage the axle holder.

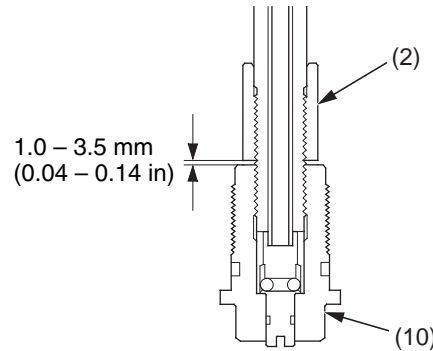
- Push out the fork damper piston rod from the axle holder of the slider by pushing the fork damper.
Apply pressure to the fork damper and insert the piston base (6) or mechanic's stopper tool between the axle holder and fork centre bolt lock nut (2).
Measure the thread length again.
Standard: 16 – 18 mm (0.6 – 0.7 in)
- Install the push rod (7) into the fork damper piston rod until it stops.
- Apply fork oil to new sealing washer (8) and O-ring (9) and install them to the fork centre bolt (10).
Install the fork centre bolt to the fork damper piston rod. Tighten the fork centre bolt fully by hand.



- (2) fork centre bolt lock nut (8) sealing washer (new)
(6) piston base
(7) push rod (9) O-ring (new)
(10) fork centre bolt

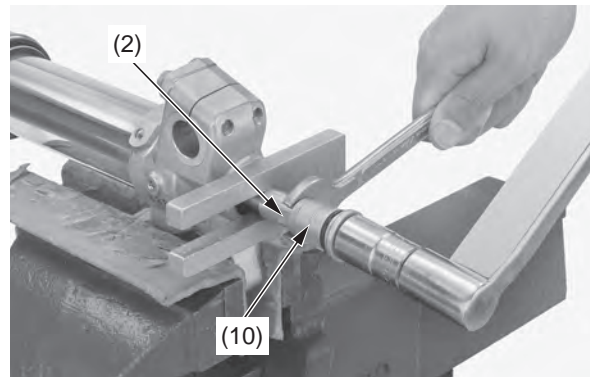
- Measure the length of the fork centre bolt lock nut (2) and fork centre bolt (10) clearance.
Standard: 1.0 – 3.5 mm (0.04 – 0.14 in)

If the clearance is out of specification, check the fork centre bolt lock nut and fork centre bolt installation.



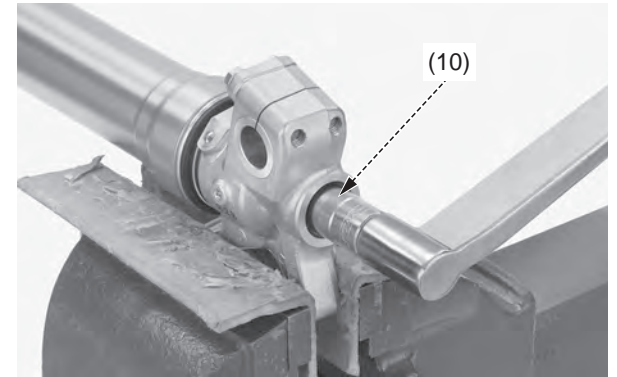
- (2) fork centre bolt lock nut (10) fork centre bolt

- Tighten the fork centre bolt lock nut (2) to the fork centre bolt (10) closely by hand. Tighten the fork centre bolt lock nut to the specified torque using an open end wrench 15 mm (9/16 in):
29 N·m (3.0 kgf·m, 21 lbf·ft)



- (2) fork centre bolt lock nut
(10) fork centre bolt

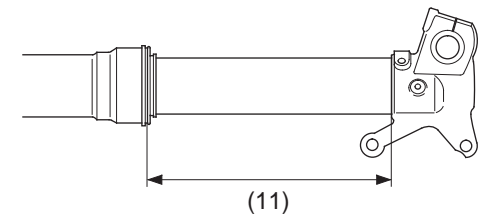
- Remove the piston base or mechanic's stopper tool while pushing the fork damper.
Apply locking agent to the fork centre bolt threads.
Install the fork centre bolt (10) to the axle holder and tighten it to the specified torque:
55 N·m (5.6 kgf·m, 41 lbf·ft)



- (10) fork centre bolt

- Measure the length between the axle holder and outer tube.
Standard: 319 ± 2 mm (12.6 ± 0.1 in)
- Compare the length (11) at assembly and at disassembly. They should be the same length.

If the length at assembly is longer than at disassembly, check the fork centre bolt and fork centre bolt lock nut installation.



- (11) length

(cont'd)