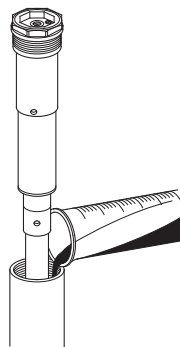


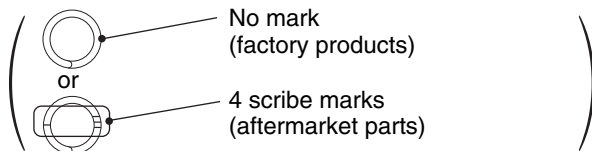
# Suspension

5. Pour the recommended fork oil (page 93) into the outer tube.



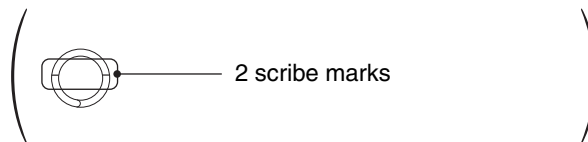
### Fork Oil Capacity:

Standard 4.6 N/mm (26.27 lbf/in) Fork Spring



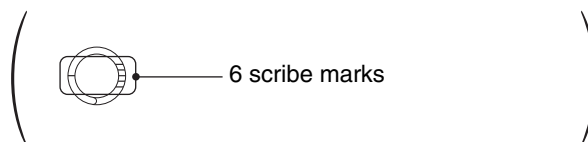
Standard oil capacity	355 cm <sup>3</sup> (12.0 US oz) (12.5 Imp oz)	
Maximum oil capacity	362 cm <sup>3</sup> (12.2 US oz) (12.7 Imp oz)	Slightly stiffer as it nears full compression.
Minimum oil capacity	305 cm <sup>3</sup> (10.3 US oz) (10.7 Imp oz)	Slightly softer as it nears full compression.

Optional Softer 4.4 N/mm (25.12 lbf/in) Fork Spring



Standard oil capacity	352 cm <sup>3</sup> (11.9 US oz) (12.4 Imp oz)	
Maximum oil capacity	359 cm <sup>3</sup> (12.1 US oz) (12.6 Imp oz)	Slightly stiffer as it nears full compression.
Minimum oil capacity	303 cm <sup>3</sup> (10.2 US oz) (10.7 Imp oz)	Slightly softer as it nears full compression.

Optional Stiffer 4.8 N/mm (27.41 lbf/in) Fork Spring

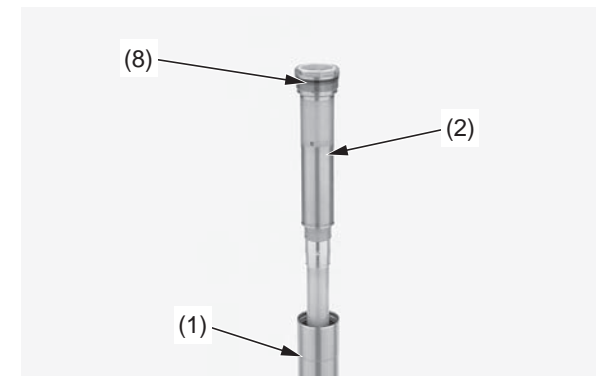


Standard oil capacity	350 cm <sup>3</sup> (11.8 US oz) (12.3 Imp oz)	
Maximum oil capacity	357 cm <sup>3</sup> (12.1 US oz) (12.6 Imp oz)	Slightly stiffer as it nears full compression.
Minimum oil capacity	300 cm <sup>3</sup> (10.1 US oz) (10.6 Imp oz)	Slightly softer as it nears full compression.

Be sure the oil capacity is the same in both fork legs.

6. Check that the O-ring (8) on the fork damper (2) is in good condition. Apply the recommended fork oil to the O-ring. Temporarily install the fork damper to the outer tube (1).  
After installing the fork leg (page 118), tighten the fork damper to the specified torque using the lock nut wrench:  
Actual:  
**30 N·m (3.1 kgf·m, 22 lbf·ft)**  
Torque wrench scale reading:  
**27 N·m (2.8 kgf·m, 20 lbf·ft)**, using a 50 cm (20 in) long deflecting beam type torque wrench.

When using the lock nut wrench, use a 50 cm (20 in) long deflecting beam type torque wrench with a lock nut wrench. The lock nut wrench increases the torque wrench's leverage, so the torque wrench reading will be less than the torque actually applied to the fork damper.



- (1) outer tube
- (2) fork damper
- (8) O-ring