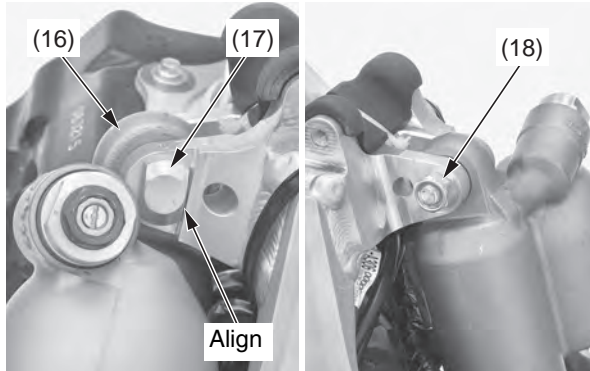


8. Set the rear shock absorber (16) and install the rear shock absorber upper bolt (17) and nut (18) as shown.

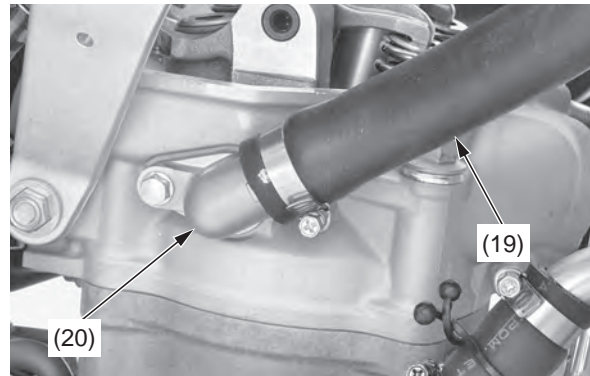
Tighten the rear shock absorber upper nut to the specified torque:
44 N·m (4.5 kgf·m, 32 lbf·ft)



(16) rear shock absorber
(17) rear shock absorber upper bolt

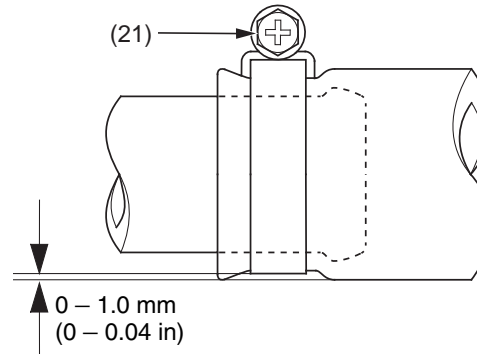
(18) nut

9. Connect the radiator hose (19) to the water hose joint (20) of the cylinder head.



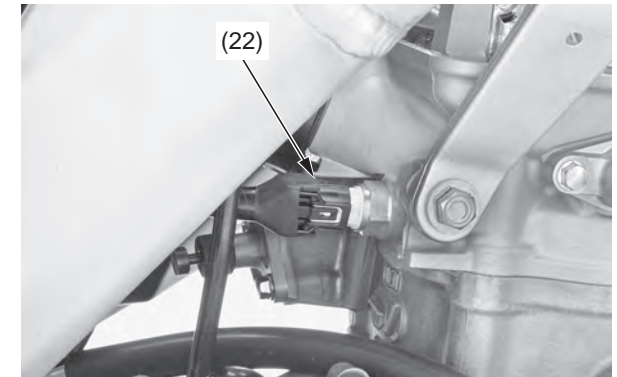
(19) radiator hose
(20) water hose joint

10. Tighten the radiator hose clamp screw (21) as illustrated below.



(21) radiator hose clamp screw

11. Connect the ECT sensor connector (22).

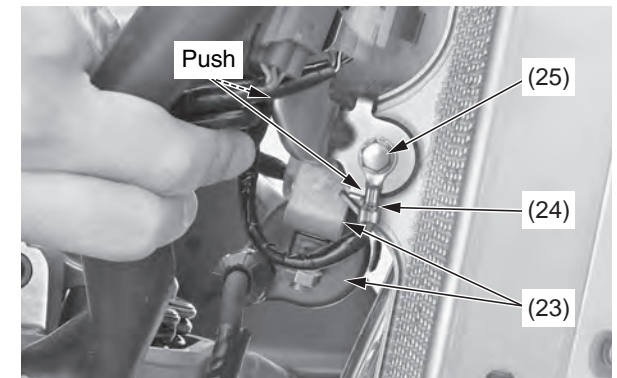


(22) ECT sensor connector

12. Install the ignition coil/stay (23), ground wire (24) and bolt (25).

Push the ground wire against the ignition coil/stay.

Push the ignition coil/stay against the frame.



(23) ignition coil/stay
(24) ground wire
(25) bolt

(cont'd)