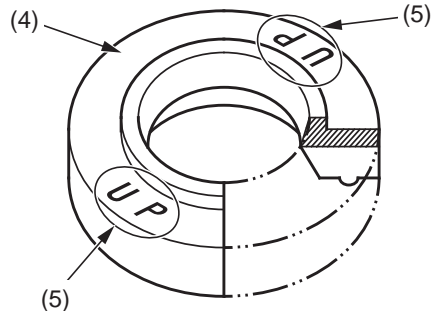


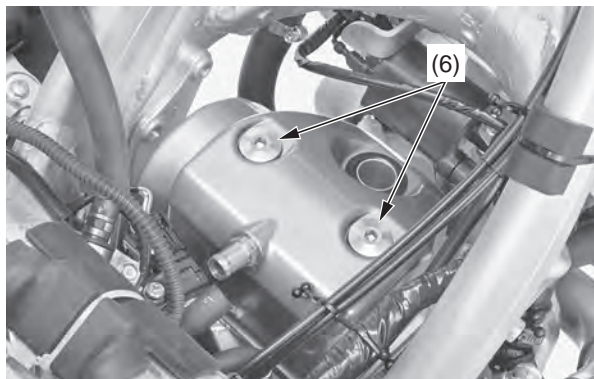
Valve Clearance

3. Check that the rubber seals (4) are in good condition, replace them if necessary. Install the rubber seals onto the cylinder head cover with the “UP” marks (5) facing up.



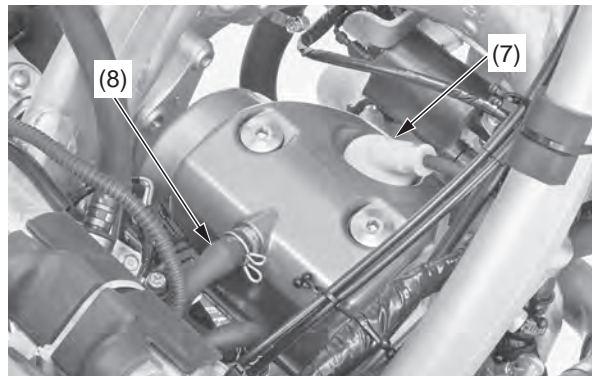
- (4) rubber seal
(5) “UP” marks

4. Install and tighten the cylinder head cover socket bolts (6) to the specified torque:
10 N·m (1.0 kgf·m, 7 lbf·ft)



- (6) cylinder head cover socket bolts

5. Connect the spark plug cap (7) and breather tube (8).



- (7) spark plug cap
(8) breather tube

6. Install the fuel tank and seat (pages 37, 39).