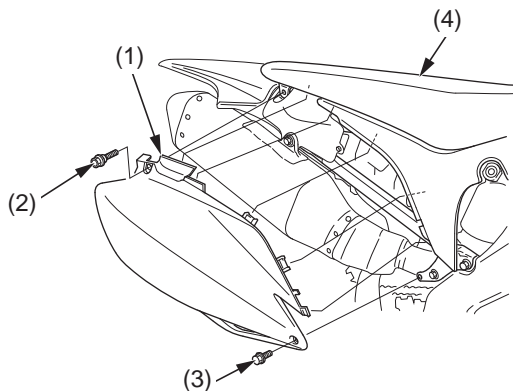


Subframe

Refer to *Safety Precautions* on page 27.

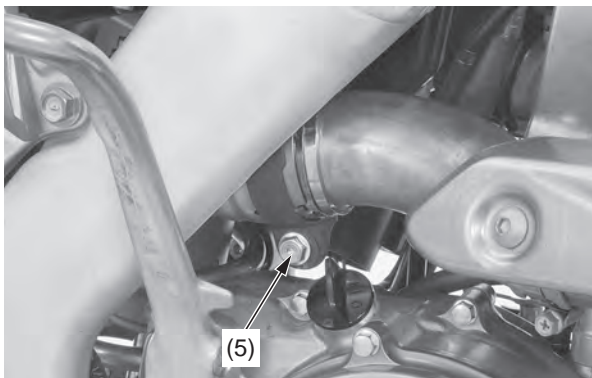
Removal

1. Remove the side covers (1) by removing the seat mounting bolts (2) and bolts (3).
2. Remove the seat (4).



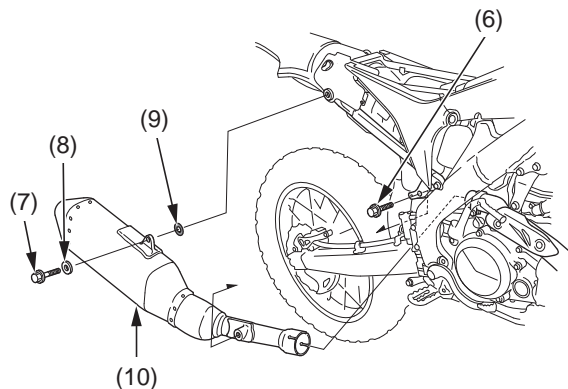
- (1) side cover (3) bolts
(2) seat mounting bolts (4) seat

3. Loosen the muffler clamp bolt (5).



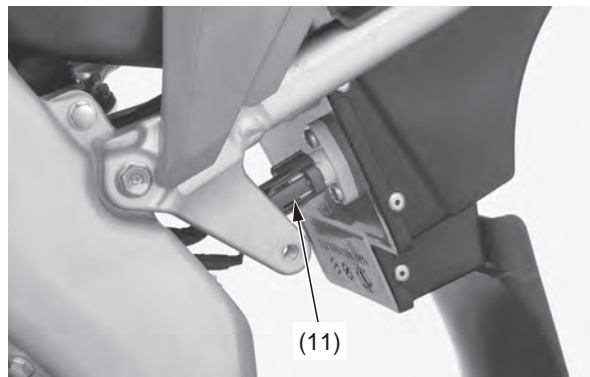
- (5) muffler clamp bolt

4. Remove the muffler mounting A bolt (6), muffler mounting B bolt (7), washer A (8), washer B (9) and muffler (10).



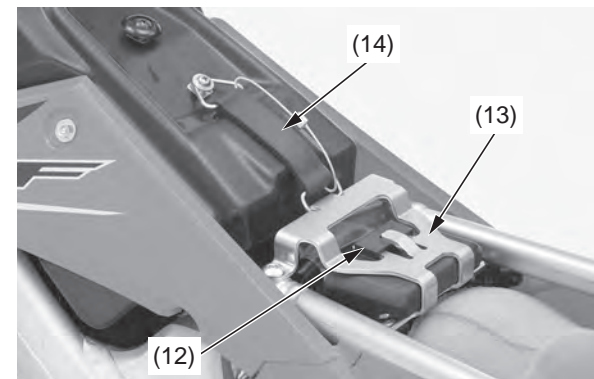
- (6) muffler mounting A bolt (9) washer B
(7) muffler mounting B bolt (10) muffler
(8) washer A

5. Disconnect the IAT sensor connector (11).



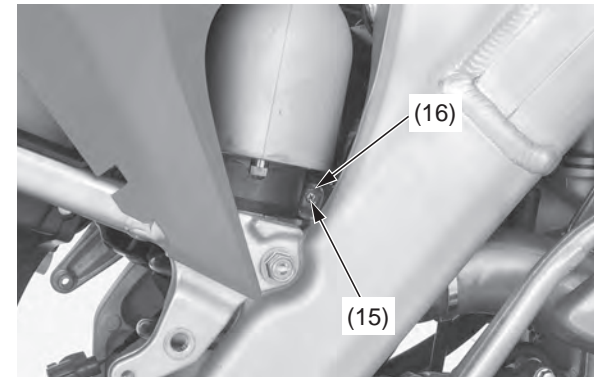
- (11) IAT sensor connector

6. Remove the ECM mounting rubber (12) from the ECM bracket (13). Unhook the fuel tank band (14).



- (12) ECM mounting rubber
(13) ECM bracket
(14) fuel tank band

7. Loosen the screw (15) on the air cleaner connecting tube clamp (16).



- (15) screw
(16) air cleaner connecting tube clamp