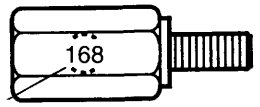
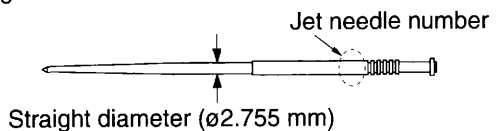
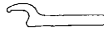



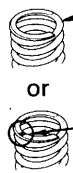



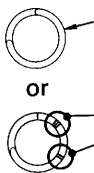


Optional Parts List (CM, IICM Type)

These parts and tools may be ordered from your authorized Honda dealer.

CARBURETOR		Remarks
Main jet (Standard: #178)	#168 – #188 (in increments of 2 or 3)	 Size
Slow jet (Standard: #42)	#38 – #48 (in increments of 2 or 3)	
Jet Needles Standard needle: NJGR Straight diameter: $\varnothing 2.755$ mm 		
	Jet needle number (standard series)	Jet needle number (1/2 clip position leaner than standard series, leaner only at 1/8 to 3/4 throttle)
General flow characteristics Richer ↑ Leaner ↓ (at 1/16 to 1/4 throttle)	NJGP $\varnothing 2.735$ mm	NJYP $\varnothing 2.735$ mm
	NJGQ $\varnothing 2.745$ mm	NJYQ $\varnothing 2.745$ mm
	(standard needle) NJGR $\varnothing 2.755$ mm	NJYR $\varnothing 2.755$ mm
	NJGS $\varnothing 2.765$ mm	NJYS $\varnothing 2.765$ mm
	NJGT $\varnothing 2.775$ mm	NJYT $\varnothing 2.775$ mm
Leak jet (Standard: #55)	#45 – #65	

FRAME	Remarks
Driven sprocket Standard	< >: Drive chain links 48 Teeth, Aluminum. <114>
Optional	47 Teeth, Aluminum <114> 49 Teeth, Aluminum <114>
Drive chain size/link	D.I.D 520 DMA2/120RB
Handlebar lower holder	3 mm offset
Optional	no offset

TOOLS	Remarks
Pin spanner A 	To adjust spring preload. (two spanners required)
Workstand 	For maintenance
Air gauge	For checking tyre air pressure

FRAME	Remarks
Shock spring Standard	5.50 kgf/mm (308.0 lbf/in) 
Optional Softer	5.30 kgf/mm (296.8 lbf/in) 
Stiffer	5.70 kgf/mm (319.2 lbf/in) 
	CM Type only: 5.90 kgf/mm (330.4 lbf/in) 
Fork spring Standard	0.47 kgf/mm (26.32 lbf/in) 
Optional Softer	0.45 kgf/mm (25.20 lbf/in) 
Stiffer	0.49 kgf/mm (27.44 lbf/in) 

The standard fork spring and shock spring mounted on the motorcycle when it leaves the factory are not marked. Before replacing the springs, be sure to mark them so they can be distinguished from other optional springs.