

# Additional Maintenance Procedures

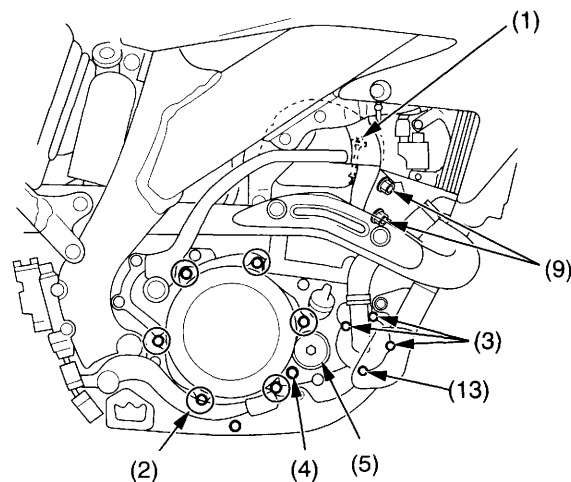
## Nuts, Bolts, Fasteners

Check and tighten nuts, bolts, and fasteners before every outing.

### ENGINE

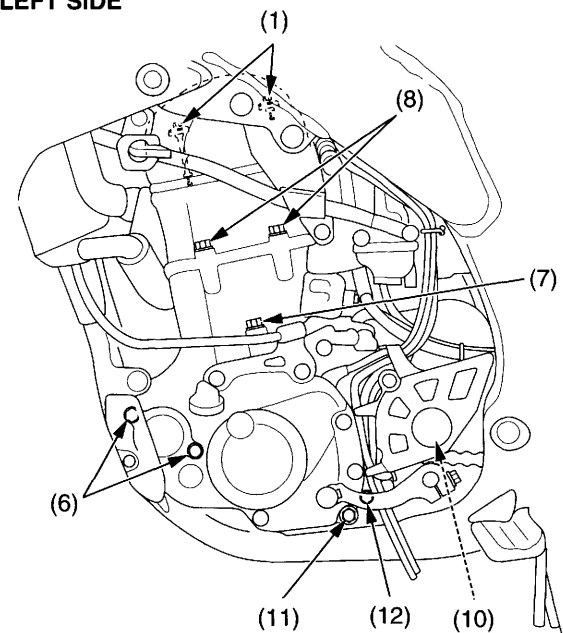
	Item	Torque		
		N•m	kgf•m	lbf•ft
1	Cylinder head cover bolts	10	1.0	7
2	Clutch cover bolts	10	1.0	7
3	Water pump cover bolts	10	1.0	7
4	Transmission oil check bolt	10	1.0	7
5	Crankshaft hole cap	15	1.5	11
6	Oil filter cover bolts	12	1.2	9
7	Cylinder bolt	10	1.0	7
8	Cylinder head bolts	10	1.0	7
9	Exhaust pipe joint nuts	21	2.1	15
10	Drive sprocket bolt	31	3.2	23
11	Engine oil drain bolt	16	1.6	12
12	Transmission oil drain bolt	16	1.6	12
13	Coolant drain bolt	10	1.0	7

### RIGHT SIDE



- (1) cylinder head cover bolts
- (2) clutch cover bolts
- (3) water pump cover bolts
- (4) transmission oil check bolt
- (5) crankshaft hole cap
- (9) exhaust pipe joint nuts
- (13) coolant drain bolt

### LEFT SIDE



- (1) cylinder head cover bolts
- (6) oil filter cover bolts
- (7) cylinder bolt
- (8) cylinder head bolts
- (10) drive sprocket bolt
- (11) engine oil drain bolt
- (12) transmission oil drain bolt