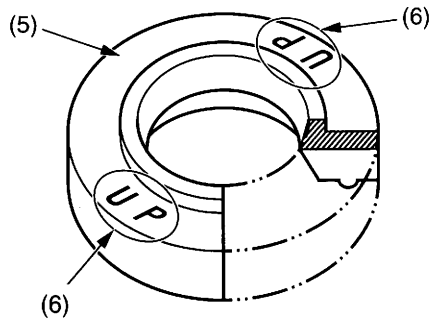


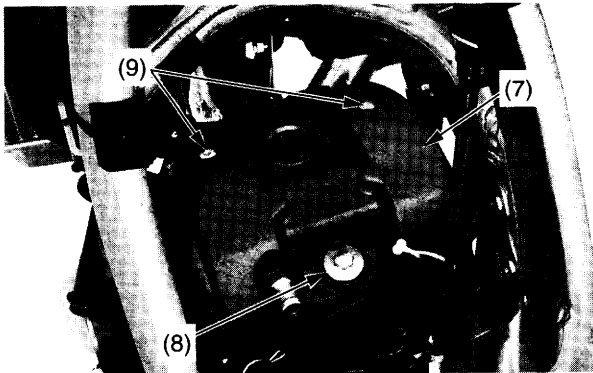
Valve Clearance

3. Check the rubber seals (5) are in good condition, replace them if necessary. Install the rubber seals onto the cylinder head cover with the "UP" marks (6) facing up.



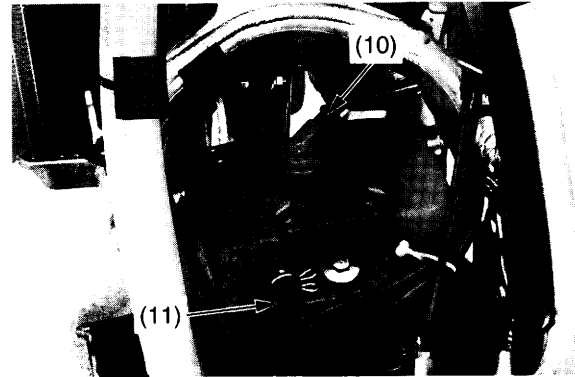
- (5) rubber seal
(6) "UP" marks

4. Install the cylinder head cover (7).
5. Tighten the cylinder head cover A bolt (8) and cylinder head cover B bolts (9) to the specified torque:
10 N·m (1.0 kgf·m, 7 lbf·ft)



- (7) cylinder head cover
(8) cylinder head cover A bolt
(9) cylinder head cover B bolts

6. Connect the spark plug cap (10) and breather tube (11).



- (10) spark plug cap
(11) breather tube

7. Install the fuel tank and seat (page 29, 31).