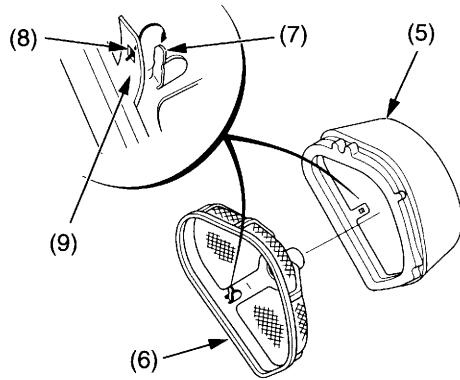


Air Cleaner

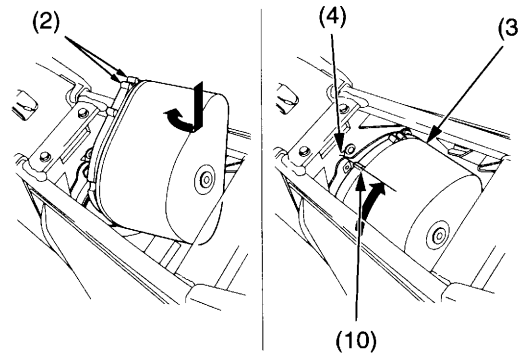
- Remove the air cleaner element (5) from the air cleaner holder (6).



- (5) air cleaner element
(6) air cleaner holder
(7) tab
(8) hole
(9) air cleaner tab

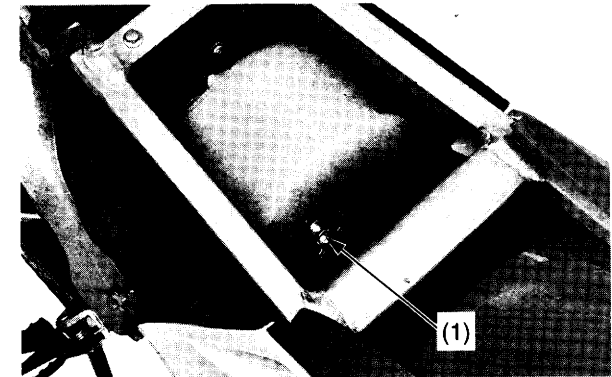
- Wash the air cleaner in clean non-flammable cleaning solvent. Then wash in hot, soapy water, rinse well, and allow to dry thoroughly. The air cleaner element is made in two pieces: inner and outer, which cannot be separated.
- Clean the inside of the air cleaner housing.
- Allow the air cleaner to dry thoroughly. After drying, soak the air cleaner element in clean Honda Foam Air Filter Oil or an equivalent air cleaner oil. Apply air cleaner oil to the entire surface, inner and outer, and rub it with both hands to saturate the air cleaner element with oil. Squeeze out excess oil.

- Assemble the air cleaner element and holder. Install the tab (7) of the holder in the hole (8) of the air cleaner tab (9).
- Apply 3 – 5 g (0.1 – 0.2 oz) of Honda White Lithium Grease or equivalent to the air cleaner housing contact area of the air cleaner element.
- Install the air cleaner assembly into the air cleaner housing keeping the two access top tabs (2) up.
- Carefully position the sealing flange of the element to prevent dirt intrusion.
- Align the set tab (10) of the air cleaner element with the “Δ” mark (4) of the air cleaner housing by rotating the air cleaner assembly (3) clockwise.



- (2) two access top tabs
(3) air cleaner assembly
(4) “Δ” mark
(10) set tab

- Install and tighten the air cleaner retaining bolt (1) securely.



(1) air cleaner retaining bolt

NOTICE

Improper installation of the air cleaner assembly may allow dirt and dust to enter the engine and cause rapid wear of the piston rings and cylinder.

- Install the seat (Page 29).