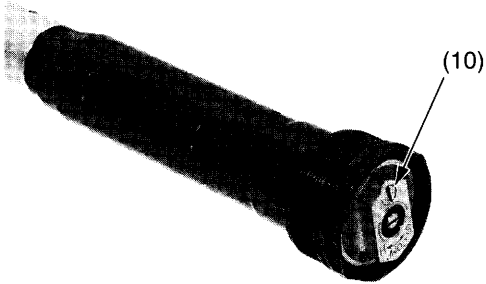


Front Suspension Adjustments

16. If you can not use compressed air, remove the pressure release screw (10) on the fork cap. Hold the fork damper up side down for 10 minutes and drain the oil from the fork damper spring chamber.



(10) pressure release screw

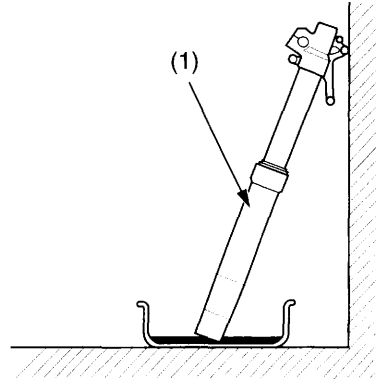
Pour the drained oil into a suitable container and dispose of it in an approved manner (page 142).

NOTICE

Improper disposal of drained fluids is harmful to the environment.

Fork Assembly

1. Drain the fork oil from the fork assembly (1) by placing it upside down. (About 7 cm³ (0.2 US oz, 0.2 Imp oz) of fork oil will be left in the outer tube/slider when it is left inverted for about 20 minutes at 20°C/68°F)



(1) fork assembly

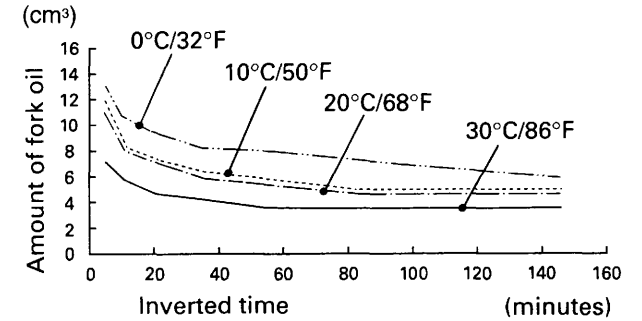
Pour the drained oil into a suitable container and dispose of it in an approved manner (page 142).

NOTICE

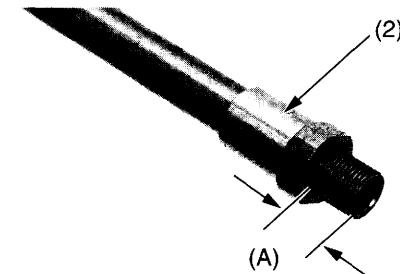
Improper disposal of drained fluids is harmful to the environment.

Amount of fork oil left in the fork (without damper and spring) unit: cm³

minute \ °C/°F	5	10	20	35	55	85	145
30/86	7.1	5.9	4.7	4.2	3.5	3.5	3.5
20/68	10.6	8.2	7.1	5.9	5.6	4.7	4.7
10/50	11.8	8.3	7.2	6.2	5.8	4.9	4.8
0/32	12.9	10.6	9.4	8.2	7.9	7.1	5.9



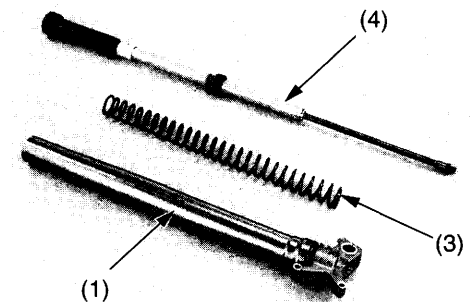
2. Tighten the lock nut (2) fully and measure the thread length (A) as shown. Standard: 11 – 13 mm (0.43 – 0.51 in) Wipe the oil completely off the fork damper.



(2) lock nut

(A) thread length

3. Blow out the oil completely off the fork spring (3) using the compressed air. Install the fork spring. Install the fork damper assembly (4) to the fork assembly (1).



(1) fork assembly
(3) fork spring

(4) fork damper assembly
(cont'd)