

# Suspension

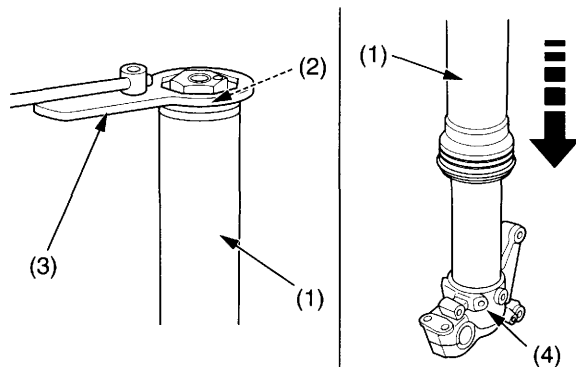
## Recommended Fork Oil

viscosity (weight)	5 W
suggested oil	Honda ULTRA CUSHION OIL SPECIAL

## Fork Oil Change

Refer to *Front Suspension Disassembly* on page 99.

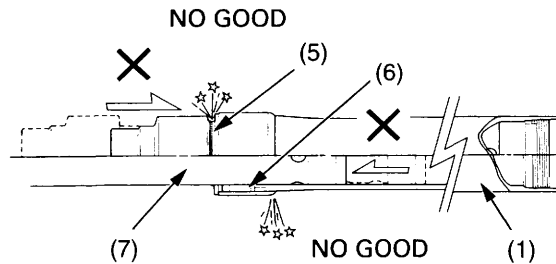
1. Record the rebound damping adjuster position and turn the adjuster counterclockwise until it stops.
2. Hold the outer tube (1), then remove the fork damper (2) from the outer tube using a lock nut wrench (3). Gently slide the outer tube down onto the axle holder (4).



(1) outer tube  
(2) fork damper  
(3) lock nut wrench  
(4) axle holder

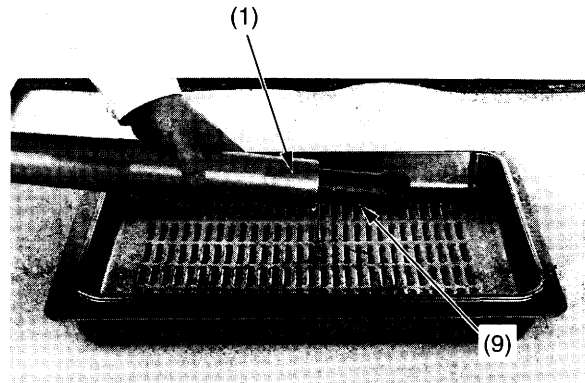
## NOTICE

The outer tube (1) can drop on the slider and damage the fork dust seal (5) and guide bushing (6) when the fork damper is removed. To avoid damage, hold both the outer tube and slider (7) when removing the fork damper.



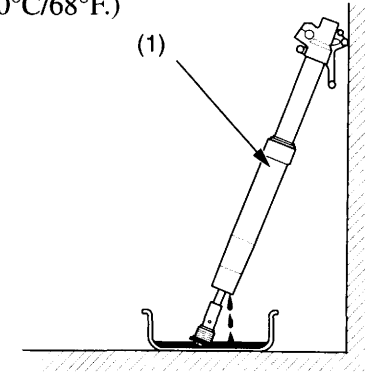
(1) outer tube  
(5) fork dust seal  
(6) guide bushing  
(7) slider

3. Drain the fork oil from the outer tube (1). Drain the fork oil from the oil hole (9) of the fork damper.



(1) outer tube  
(9) oil hole

4. Drain the fork oil by turning the outer tube (1) upside down. (About 12 cm<sup>3</sup> (0.4 US oz) of fork oil will be left in the outer tube when it is left inverted for about 20 minutes at 20°C/68°F.)



(1) outer tube

Pour the drained oil into a suitable container and dispose of it in an approved manner (page 142).

## NOTICE

Improper disposal of drained oil is harmful to the environment.

Amount of fork oil left in the fork (within damper and spring)

unit: cm<sup>3</sup>

minute	5	10	20	35	55	85	145
30/86	27	15.3	10.6	9.4	8.3	7.9	7.9
20/68	29.4	16.5	11.8	10.6	9.4	8.2	8.2
10/50	28.2	21.2	16.5	15.3	12.9	11.8	11.8
0/32	30.6	22.4	18.8	16.5	16.5	15.3	14.1

