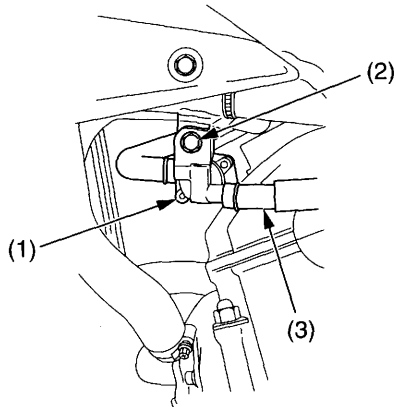


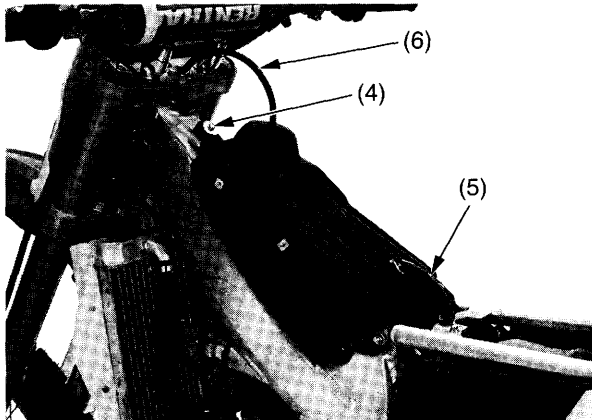
Installation

1. Install the fuel tank on the frame.
2. Install the fuel valve (1) and tighten the fuel valve bolt (2).
3. Connect the fuel line (3) to the fuel valve.



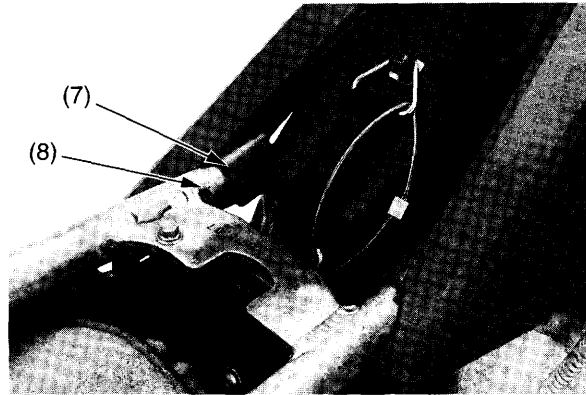
- (1) fuel valve
 (2) fuel valve bolt
 (3) fuel line

4. Install the fuel tank bolt/collar (4).
5. Hook the fuel tank band (5).
6. Put the breather tube (6) in the steering stem nut.



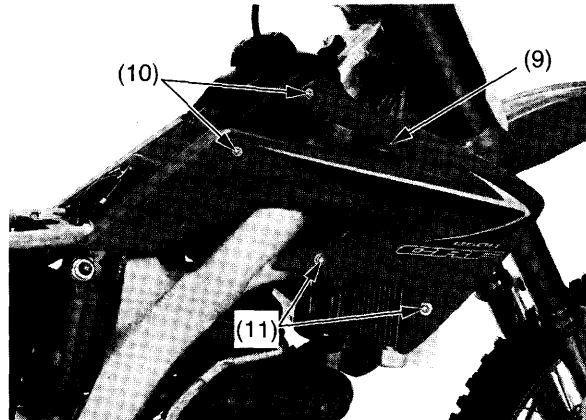
- (4) fuel tank bolt/collar
 (5) fuel tank band
 (6) breather tube

7. Install the shroud tab (7) onto the subframe (8).



- (7) shroud tab
 (8) subframe

8. Install the shrouds (9) and shroud B bolts (10).
9. Install and tighten the shroud A bolts/collars (11).
10. Tighten the shroud B bolts to the specified torque:
 5 N·m (0.5 kgf-m, 3.7 lbf-ft)



- (9) shroud
 (10) shroud B bolts
 (11) shrouds A bolts/collars

11. Install the seat (page 29).