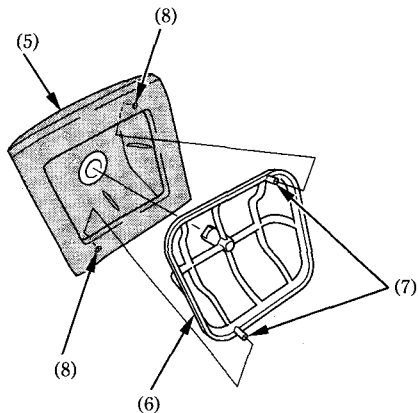


5. Remove the air cleaner holder (6) from the air cleaner (5).
6. Wash the air cleaner in clean, nonflammable or high flash point solvent and let it dry thoroughly.

Never use petrol or low flash point solvents for cleaning the air cleaner. A fire or explosion could result.

7. Soak the air cleaner in gear oil (SAE 80 – 90) until saturated, then squeeze out the excess oil.
8. Assemble the air cleaner and holder. Insert the tabs (7) in the air cleaner holes (8).



(5) Air cleaner
(6) Air cleaner holder

(7) Tabs
(8) Holes