

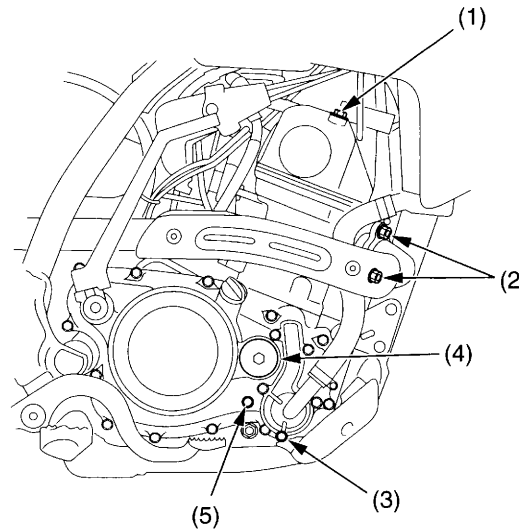
## Nuts, Bolts, Fasteners

Check and tighten nuts, bolts, and fasteners before every outing.

### ENGINE

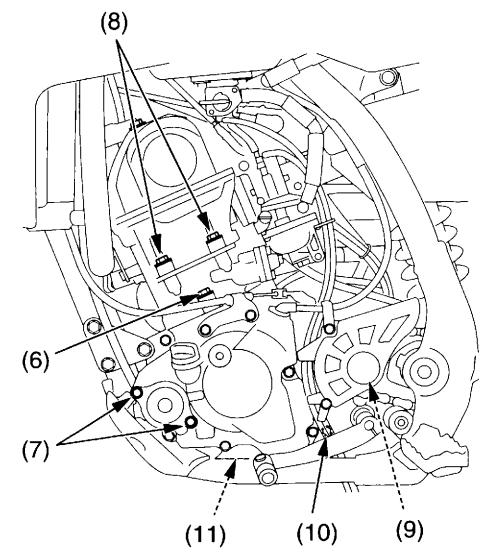
	Item	Torque		
		N•m	kgf•m	lbf•ft
1	Cylinder head cover bolts	10	1.0	7
2	Exhaust pipe joint nuts	11	1.1	8
3	Coolant drain bolt	10	1.0	7
4	Crankshaft hole cap	15	1.5	11
5	Transmission oil check bolt	10	1.0	7
6	Cylinder bolt	10	1.0	7
7	Oil filter cover bolts	10	1.0	7
8	Cylinder head bolts	10	1.0	7
9	Drive sprocket bolt	13	1.3	10
10	Transmission oil drain bolt	22	2.2	16
11	Engine oil drain bolt	22	2.2	16

### RIGHT SIDE



- (1) cylinder head cover bolts
- (2) exhaust pipe joint nuts
- (3) coolant drain bolt
- (4) crankshaft hole cap
- (5) transmission oil check bolt

### LEFT SIDE



- (6) cylinder bolt
- (7) oil filter cover bolts
- (8) cylinder head bolts
- (9) drive sprocket bolt
- (10) transmission oil drain bolt
- (11) engine oil drain bolt