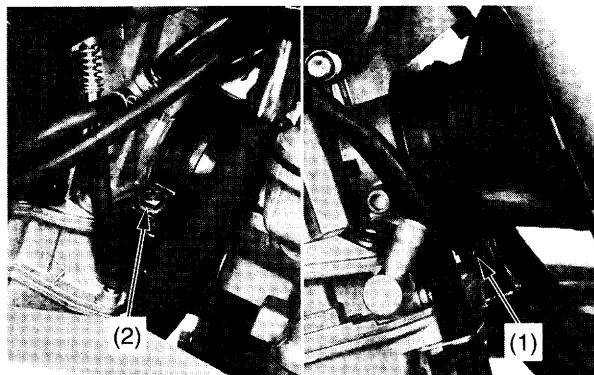


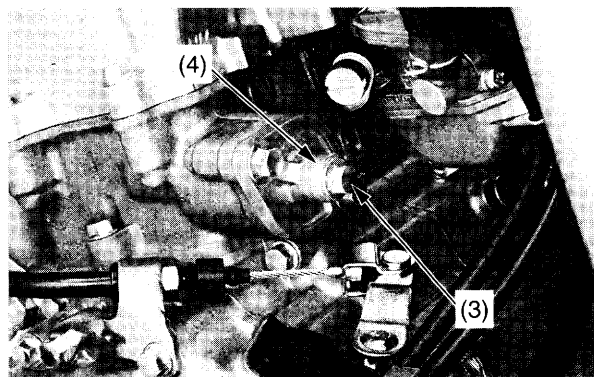
Camshaft Holder Assembly Removal

- Record the intake valve clearance and exhaust valve clearance.
Make sure the piston is at TDC (Top Dead Centre) on the compression stroke (page 53).
- Loosen the connecting tube clamp screw (1) and insulator band screw (2) and rotate the carburetor to access for the cam chain tensioner lifter.



(1) connecting tube clamp screw
(2) insulator band screw

- Remove the cam chain tensioner lifter cover bolt (3) and sealing washer (4).



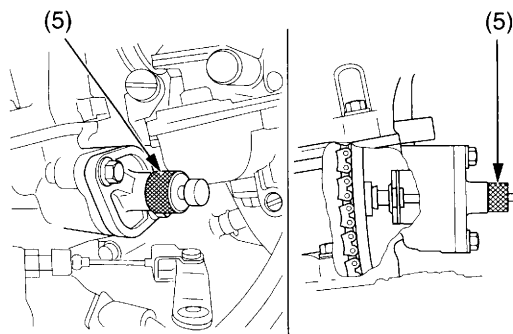
(3) cam chain tensioner lifter cover bolt
(4) sealing washer

Use the tensioner stopper tool.

- Tensioner stopper 070MG-0010100

- Turn the tensioner shaft clockwise with the tensioner stopper (5) until it stops, in order to retract the tensioner fully.

Then insert the tensioner stopper fully to hold the stopper in the fully retracted position.

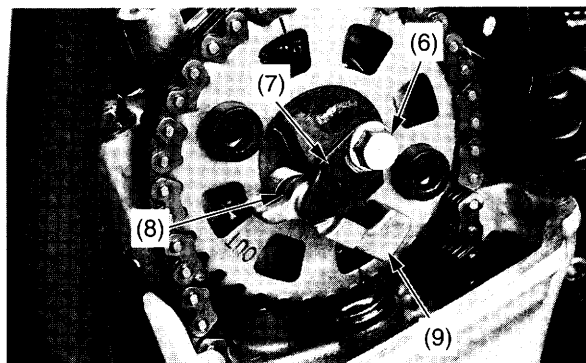


(5) tensioner stopper

- Remove the bolt (6), stopper plate (7), return spring (8) and decompressor weight (9).

NOTICE

Do not let the bolt, stopper plate, return spring and decompressor weight fall into the crankcase.

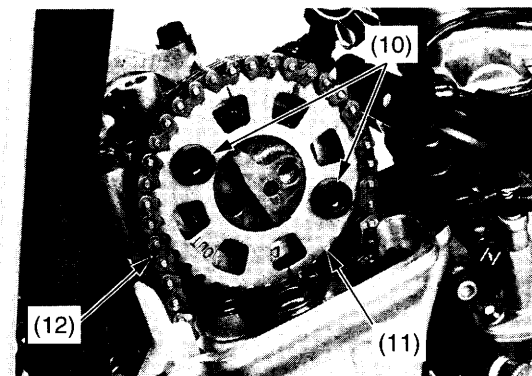


(6) bolt
(7) stopper plate
(8) return spring
(9) decompressor weight

- Remove the socket bolts (10) and cam sprocket (11), then attach a piece of wire to the cam chain (12) to prevent it from falling into the crankcase.

NOTICE

Do not let the bolts, sprocket and cam chain fall into the crankcase.



(10) socket bolts
(11) cam sprocket
(12) cam chain

(cont'd)