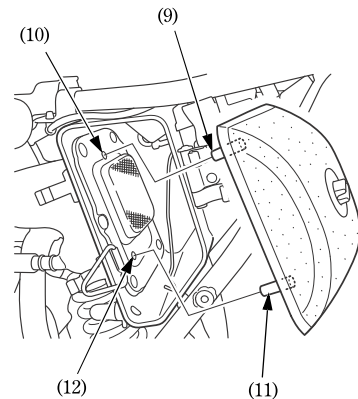


9. Clean the inside of the air cleaner housing.
 10. Apply a thin coat of grease to the sealing surface of the air cleaner.
 11. Install the air cleaner assembly by inserting the upper tab (9) on the cleaner into the upper hole (10) in the air cleaner housing, and the lower tab (11) into the lower hole (12).
- Hook the set spring.
Check that the air cleaner is properly seated.
12. Install the air cleaner housing cover and set the retainer clips.
 13. Install the left side cover (page 40).



(9) Upper tab
(10) Upper hole

(11) Lower tab
(12) Lower hole

