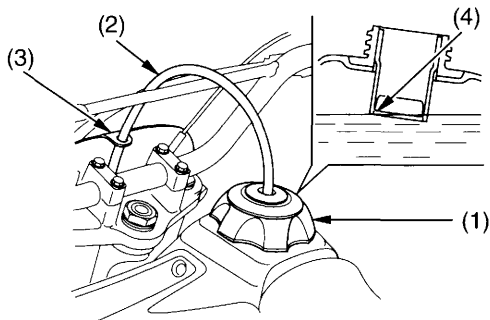


# Fuel

## Refueling Procedure

Fuel Tank Capacity, including reserve:  
1.45 US gal (5.5 ℓ)

Reserve Capacity:  
0.29 US gal (1.1 ℓ)



- (1) fuel fill cap                      (3) front number plate  
(2) breather tube                    (4) filler neck

1. To open the fuel fill cap ( 1 ), pull the breather tube ( 2 ) away from the front number plate ( 3 ). Turn the fuel fill cap counterclockwise and remove it.
2. Add fuel until the level reaches the bottom of the filler neck ( 4 ). Avoid overfilling the tank. There should be no fuel in the filler neck.

## **⚠ WARNING**

Gasoline is highly flammable and explosive. You can be burned or seriously injured when handling fuel.

- Stop the engine and keep heat, sparks and flame away.
- Handle fuel only outdoors.
- Wipe up spills immediately.