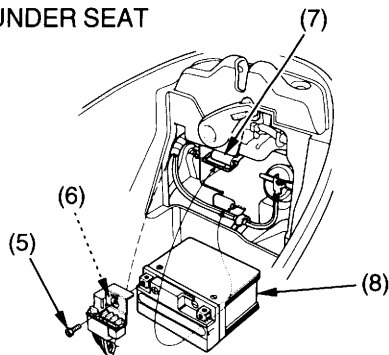


Battery

UNDER SEAT



(5) bolt

(6) positive (+) terminal lead

(7) rubber band

(8) battery

9. Charge the battery (see following section), unless you have been riding regularly.

10. Store your battery in an easy-to-reach location off the floor, in an area protected from freezing temperatures and direct sunlight.
11. Clean the battery box after removing the battery for storage. Dry the battery box and, if paint is missing, re-paint the area.
12. Slow charge the battery (see following section) once every 30 days.

Installation

1. Reinstall in the reverse order of removal. Be sure to connect the positive (+) terminal first, then the negative (-) terminal.
2. Check all bolts and other fasteners are secure.