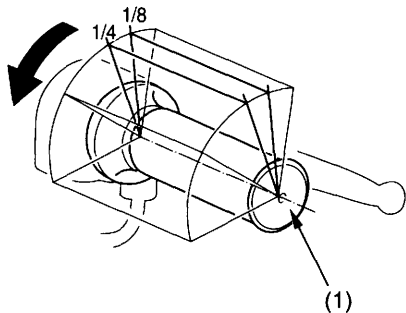


## Starting & Stopping the Engine

### If You Cannot Restart a Warm Engine

1. Place the scooter on its center stand, squeeze the rear brake lever, and set the rear brake lock (page 24).
2. Open the throttle (1)  $1/8 - 1/4$  turn while starting the engine.



(1) throttle