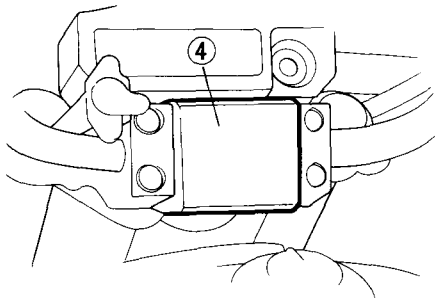


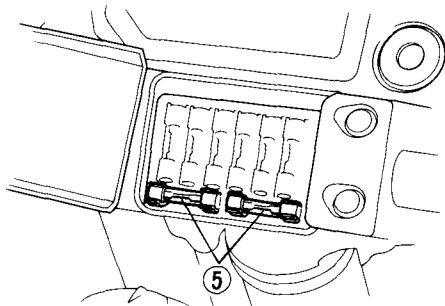
To replace any fuses in the fuse box, remove the fuse box cover (4).



(4) Fuse box cover

CAUTION:

* Do not pry the clips open to get a fuse out; you could bend them and cause poor contact with the new fuse. A loose fuse could cause damage to the electrical system and even start a fire.



(5) Spare fuses