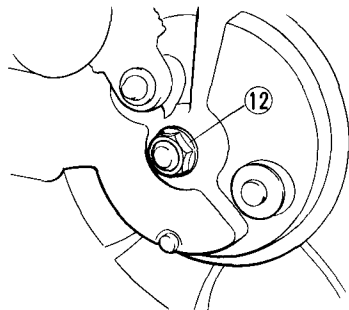


6. Remove the axle nut (12) while holding the axle at the other end with a wrench.
7. Pull out the axle.



(12) Axle nut

8. Move the wheel to the right to separate it from the final drive gear case.
9. Remove the rear wheel.

