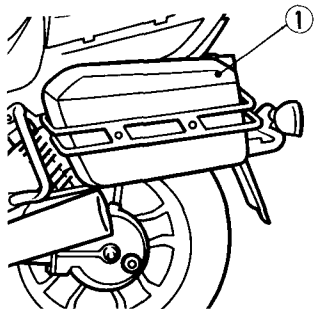


SADDLEBAG

NOTE:

- * Before starting, check that the saddlebag lids (1) are securely locked.
- * Raise the rotary beam when opening the right saddlebag lid.



(1) Saddlebag lid