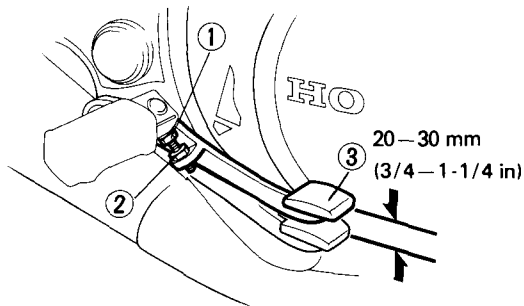


## Rear Brake

### Adjustment:

1. Place the motorcycle on its center stand.
2. The stopper bolt (1) is provided to allow adjustment of the pedal height. To adjust the pedal height, loosen the lock nut (2) and turn the stopper bolt. Tighten the lock nut.
3. Measure the distance the rear brake pedal (3) moves before the brake starts to take hold.  
Free play should be:  
20–30 mm (3/4–1-1/4 in)



(1) Stopper bolt  
(2) Lock nut

(3) Rear brake pedal