

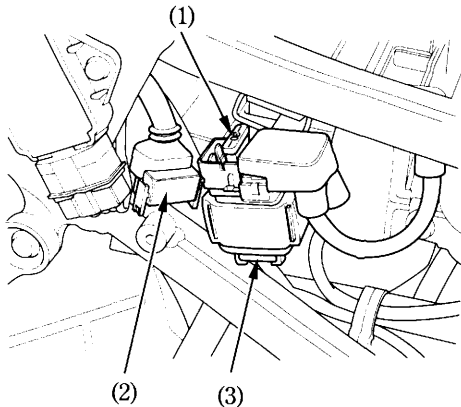
Main fuse:

The main fuse (1) is located behind the right side cover.

The specified fuse is:

30A

1. Remove the front seat (page 41) and remove the right side cover (page 47).
2. Disconnect the wire connector (2) of the starter magnetic switch.
3. Pull out the old fuse and install a new fuse. The spare fuse (3) is located under the starter magnetic switch.
4. Reconnect the connector and install the right side cover and front seat.



(1) Main fuse
(2) Wire connector

(3) Spare fuse