

## LEFT HANDLEBAR CONTROLS

〈 U type only 〉

### Headlight Dimmer Switch (1)

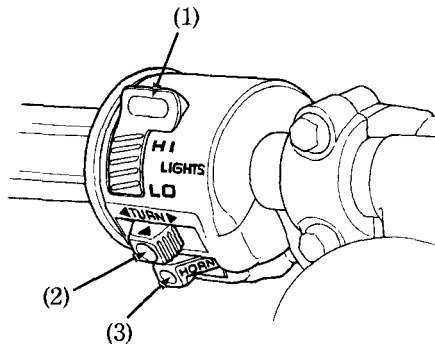
Push the dimmer switch to “HI” to select high beam or to “LO” to select low beam.

### Turn Signal Switch (2)

Move to L to signal a left turn, R to signal a right turn. Press to turn signal off.

### Horn Button (3)

Press the button to sound the horn.



- (1) Headlight dimmer switch
- (2) Turn signal switch
- (3) Horn button