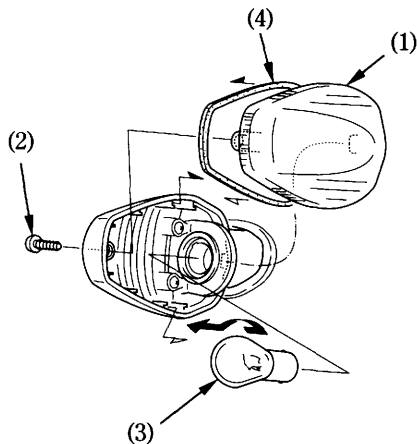


Front/Rear Turn Signal Bulb

1. Remove the turn signal lens (1) and the lens packing (4) by removing the screw (2).
2. Slightly press the bulb (3) and turn it counterclockwise.
3. Install a new bulb in the reverse order of removal.



(1) Lens
(2) Screw

(3) Bulb
(4) Lens packing