

Front/Rear Turn Signal Bulb

▲ WARNING

- * The light bulb becomes very hot while the light is ON, and remain hot for a while after it is turned OFF. Be sure to let it cool down before servicing.

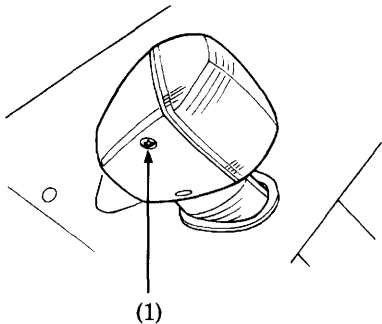
CAUTION:

- * Wear clean gloves while replacing the bulb.
- * If you touch the bulb with your bare hands, clean it with a cloth moistened with alcohol to prevent its early failure.

NOTE:

- * Be sure to turn the ignition switch OFF when replacing the bulb.

1. Remove the turn signal lens from the turn signal by removing the screw (1).



(1) Screw