

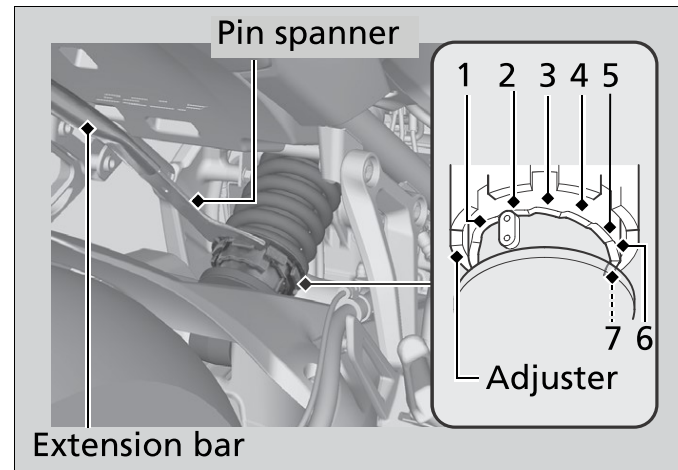
Other Adjustments ▶ Adjusting the Rear Suspension

## Adjusting the Rear Suspension

### Spring Preload

You can adjust the spring preload by the adjuster to suit the load or the road surface. Turn the adjuster using the pin spanner and extension bar provided in the tool kit. ■ P. 57

Use the pin spanner and extension bar to turn the adjuster. Position 1 is for a decrease spring preload (soft), or turn the position 3 to 7 increase spring preload (hard). The standard position is 2.



Attempting to adjust directly from 1 to 7 or 7 to 1 may damage the shock absorber.

#### NOTICE

Do not attempt to disassemble, service, or improperly dispose of the damper. See your dealer.

Maintenance