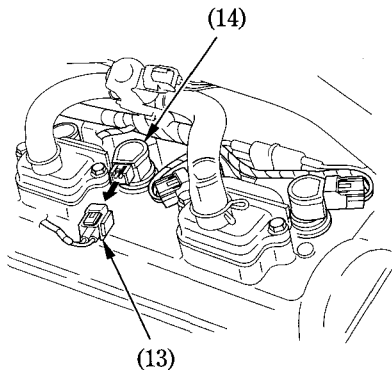
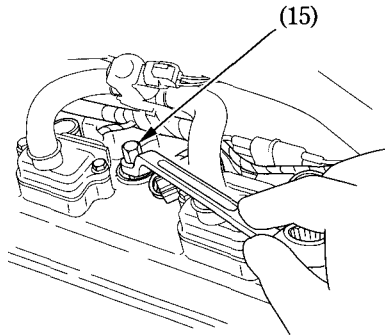


10. Disconnect the ignition coil connectors (13).
11. Disconnect the ignition coils (14) from the spark plugs.



(13) Ignition coil connectors  
(14) Ignition coils

12. Clean any dirt from around the spark plug bases.  
Remove the spark plugs using a spark plug wrench (15).



(15) Spark plug wrench