

## LEFT HANDLEBAR CONTROLS

### Headlight Dimmer Switch (1)

Move the headlight dimmer switch to ☰D (HI) to select high beam or to ☷D (LO) to select low beam.

### Passing Light Control Switch (2)

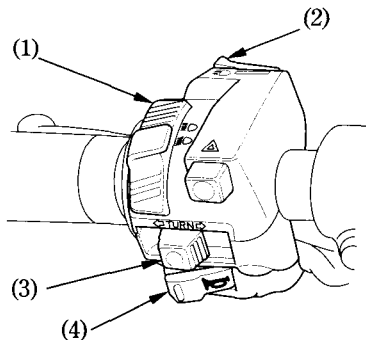
When this switch is pressed, the headlight flashes on to signal approaching cars or when passing.

### Turn Signal Switch (3)

Move to ⇐ to signal a left turn, ⇒ to signal a right turn. Press to turn signal off.

### Horn Button (4)

Press the button to sound the horn.



- (1) Headlight dimmer switch
- (2) Passing light control switch
- (3) Turn signal switch
- (4) Horn button