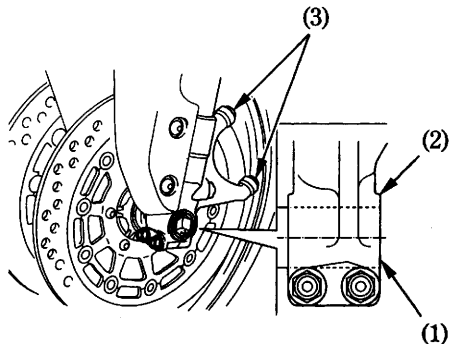


### Front Wheel Installation

1. Install the side collars into the left and right side wheel hub.
2. Position the front wheel between the fork legs and insert the front axle shaft from the left side, through the left fork leg and wheel hub.
3. Align the end of front axle shaft (1) with the surface of fork leg (2).
4. Tighten the axle pinch bolts on the left fork leg to the specified torque:  
22 N·m (2.2 kgf·m , 16 lbf·ft)
5. Tighten the front axle bolt to the specified torque:  
59 N·m (6.0 kgf·m , 44 lbf·ft)
6. Make sure that the front fork spacers ( 3 ) are installed into the caliper bracket properly.
7. Install the right and left caliper assemblies to the fork legs and tighten the fixing bolts to the specified torque:  
45 N·m (4.6 kgf·m , 33 lbf·ft)  
To avoid damaging the brake pads while installing the caliper assemblies, carefully fit the brake discs (4) between the pads.

8. Operate the front brake and pump the fork several times. Check for free wheel rotation after the brake is released. Recheck the wheel if the brake drags or the wheel does not rotate freely.



- (1) End of front axle shaft
- (2) Surface of fork leg
- (3) Front fork spacers