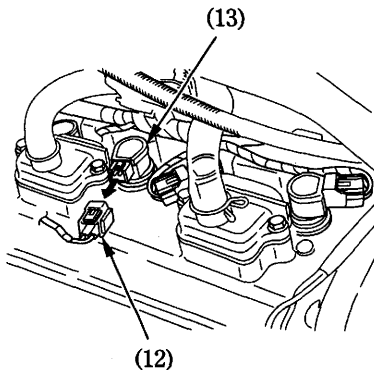
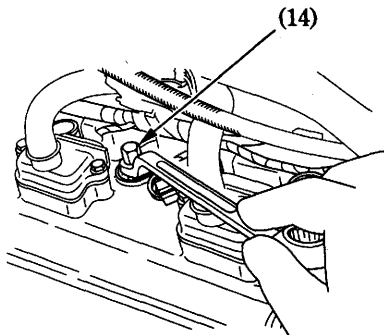


9. Disconnect the ignition coil connectors (12).
10. Disconnect the ignition coils (13) from the spark plugs.



11. Clean any dirt from around the spark plug bases.
Remove the spark plugs using a spark plug wrench (14).



- (12) Ignition coil connectors
(13) Ignition coils

- (14) Spark plug wrench