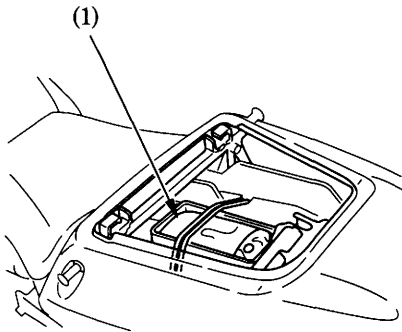


## TOOL KIT

The tool kit (1) is in the tool box under the rear seat (page 61 ).

Some roadside repairs, minor adjustments and parts replacement can be performed with the tools contained in the kit.

- Spark plug wrench
- 10 × 12 mm Box end wrench
- 22 mm Box end wrench
- 27 mm Box end wrench
- 8 × 12 mm Open end wrench
- 10 × 14 mm Open end wrench
- 5 mm Hex wrench
- No. 2 phillips screwdriver
- No. 2 screwdriver
- Screwdriver handle
- Pliers
- Extension bar
- Pin spanner
- 0.7 mm Feeler gauge
- Tool bag



(1) Tool kit