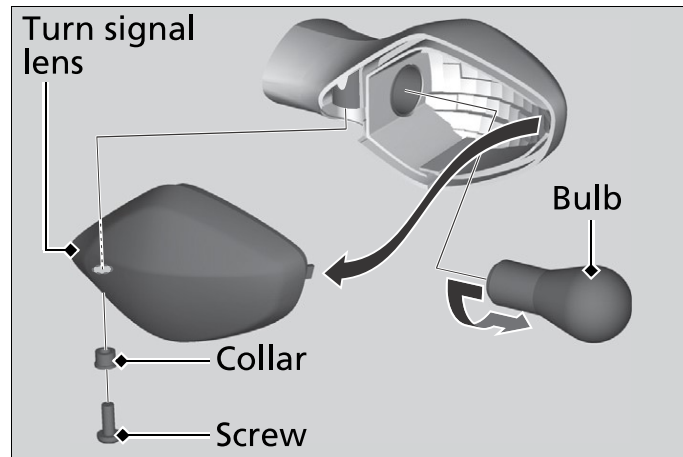


## Electrical Trouble ▶ Burned-out Light Bulb

### Front/Rear Turn Signal Bulb

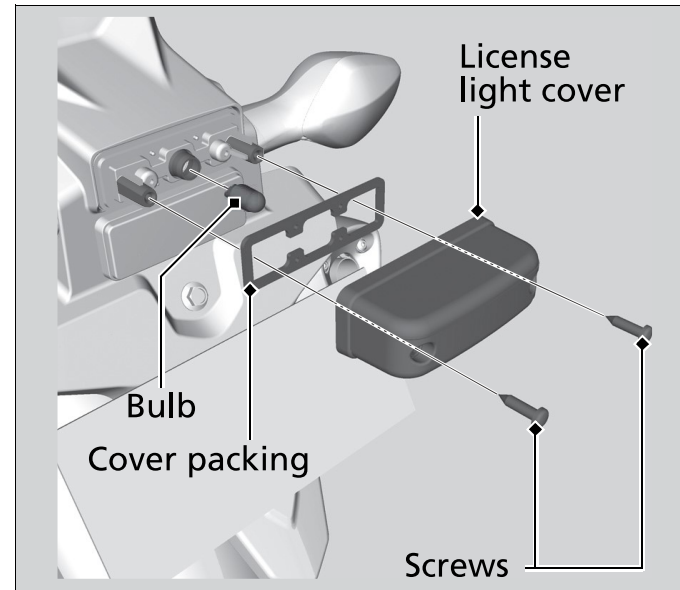
1. Remove the screw and collar.
2. Remove the turn signal lens.
3. Slightly press the bulb and turn it counterclockwise.



4. Install a new bulb and parts in the reverse order of removal.  
▶ Use only the amber bulb.

### License Plate Light

1. Remove the screws, license light cover and license light cover packing.
2. Pull out the bulb without turning.



3. Install a new bulb and parts in the reverse order of removal.

Troubleshooting