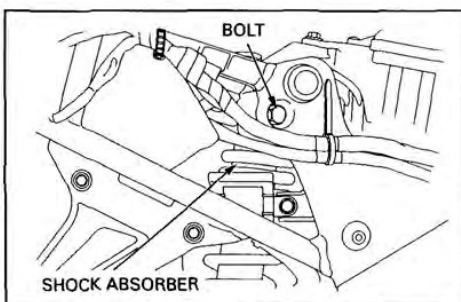


REAR WHEEL/SUSPENSION

INSTALLATION

Install the shock absorber to the frame.
Install and tighten the shock absorber upper mounting bolt to the specified torque.

TORQUE: 39 N·m (4.0 kgf·m, 29 lbf·ft)



Install the shock absorber lower mounting bolt and nut and tighten the nut to the specified torque.

TORQUE: 44 N·m (4.5 kgf·m, 33 lbf·ft)

Check the operation of the shock absorber (page 3-20).
Install the rear cowl (page 2-2).



SWINGARM

REMOVAL

Remove the rear wheel (page 15-3).

Remove the swingarm pivot caps.



Remove the screw and brake hose guide.

