

Installation Notes:

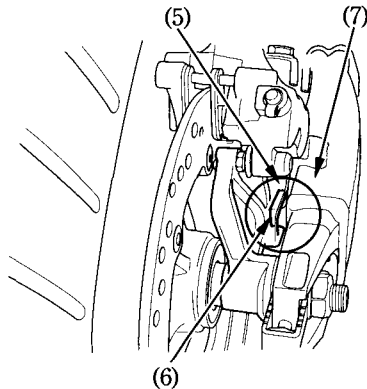
- To install the rear wheel, reverse the removal procedure.
- Make sure that the slot (5) on the brake caliper is located in the lug (6) in the swingarm (7).
- Tighten the axle nut to:
93 N·m (9.5 kgf·m , 69 lbf·ft)
- Adjust the drive chain (Page 79).
- Apply the brake several times and check for free wheel rotation after the brake pedal is released.
- Brake system inspection (See page 96).

CAUTION:

- **When installing the wheel, carefully fit the brake disc between the brake pads to avoid damaging the pads.**
- **After installation, operate the brake pedal and check the brake operation.**

▲WARNING

- **If a torque wrench was not used for installation, see your Honda dealer as soon as possible to verify proper assembly. Improper assembly may lead to loss of braking capacity.**



(5) Slot
(6) Lug

(7) Swing arm