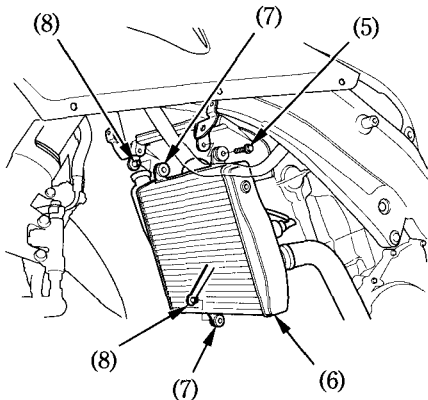


8. Remove the radiator mount bolt (5).
9. Move the radiator (6) out of the way and remove the grommets (7) from the radiator stays (8).
10. Pull the radiator toward the front.

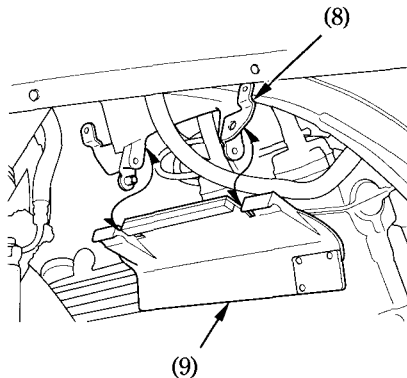
CAUTION:

* **Be careful not to damage the radiator fins.**

11. Remove the heat guard (9) from the radiator stay (8).



- | | |
|-------------------------|--------------------|
| (5) Radiator mount bolt | (7) Grommets |
| (6) Radiator | (8) Radiator stays |



- | |
|----------------|
| (9) Heat guard |
|----------------|