

Main Fuse A:

The main fuse A (1) is located behind the rear cowl.

The specified fuse is:

30A

1. Remove the rear cowl (page 57).
2. Disconnect the wire connector (2) of the starter magnetic switch.
3. Pull out the old fuse and install a new fuse. The spare fuse (3) is located under the starter magnetic switch.
4. Reconnect the connector and install the rear cowl.

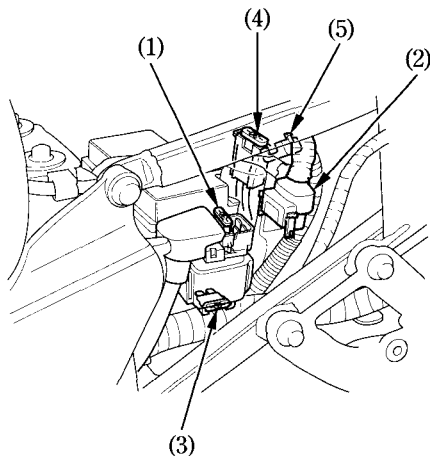
FI Fuse:

The FI fuse (4) is located under the seat.

The specified fuse is:

30A

1. Remove the seat (page 54).
2. Open the FI fuse box cover (5).
3. Pull out the old fuse and install a new fuse. The spare fuse (3) is located under the starter magnetic switch.
4. Close the FI fuse box cover and install the seat.



- (1) Main fuse A
(2) Wire connector
(3) Spare main fuse

- (4) FI fuse
(5) FI fuse box cover