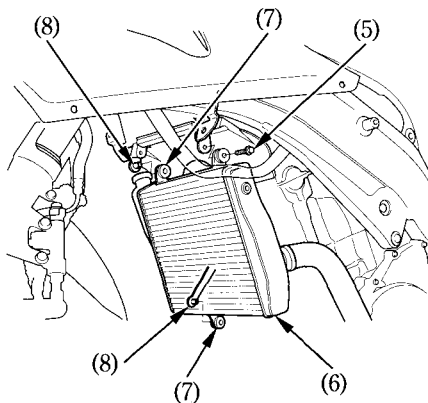


8. Remove the radiator mount bolt (5).
9. Move the radiator (6) out of the way and remove the grommets (7) from the radiator stays (8).
10. Pull the radiator toward the front.

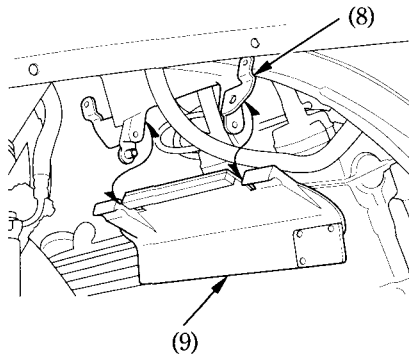


- | | |
|-------------------------|--------------------|
| (5) Radiator mount bolt | (7) Grommets |
| (6) Radiator | (8) Radiator stays |

NOTICE

Damage to the radiator fins can reduce cooling or cause a system leak. Handle the radiator with care.

11. Remove the heat guard (9) from the radiator stay (8).



- | |
|----------------|
| (9) Heat guard |
|----------------|