

Fuel Tank

The fuel tank capacity, including reserve, is:

21 ℓ (5.6 US gal, 4.6 Imp gal)

To open the fuel tank cap (1), open the tank cap cover (2), insert the ignition key (3) and turn it clockwise. The cap will pop up and can be lifted off.

To close the fuel tank cap, align the latch in the cap with the slot in the filler neck.

Push cap into the filler neck until it snaps closed and locks. Remove the key and close the tank cap cover.

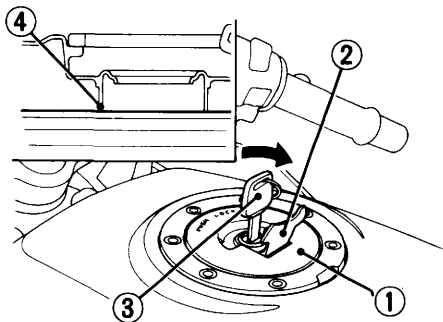
Use low-lead or unleaded petrol with an Octane number of 91 or higher.

For AUSTRALIA

Use unleaded fuel with a research octane number of 91 or higher.

CAUTION:

* If “spark knock” or “pinking” occurs at a steady engine speed under normal load, change brands of petrol. If spark knock or pinking persists, consult your authorized Honda dealer. Failure to do so is considered misuse, and damage caused by misuse is not covered by Honda’s Limited Warranty.



- (1) Fuel tank cap (3) Ignition key
(2) Tank cap cover (4) Filler neck