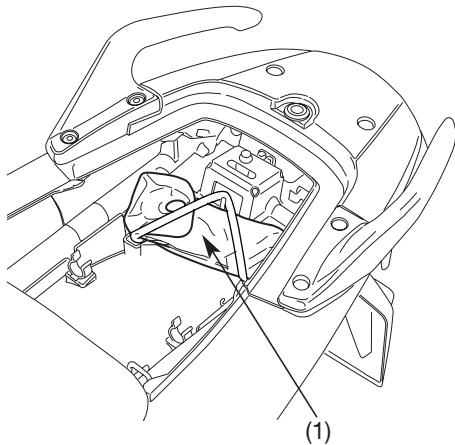


## TOOL KIT

The tool kit (1) is in the tool box under the rear seat.

Some roadside repairs, minor adjustments and parts replacement can be performed with the tools contained in the kit.

- 8 x 10 mm open end wrench
- 12 x 14 mm open end wrench
- 14 x 17 mm open end wrench
- 12 mm wrench
- 27 mm hex end wrench
- 22 mm hex end wrench
- 5 mm hex wrench
- Spark plug wrench
- No. 2 screwdriver
- Screwdriver grip
- Pin spanner
- Helmet holder wire
- Fuse puller
- Tool bag



(1) Tool kit