



**Rear Brake  
Pedal Height Adjustment:**

The stopper bolt (1) is provided to allow adjustment of the pedal height. To adjust the pedal height, loosen the lock nut (2) and turn the stopper bolt. Tighten the lock nut.

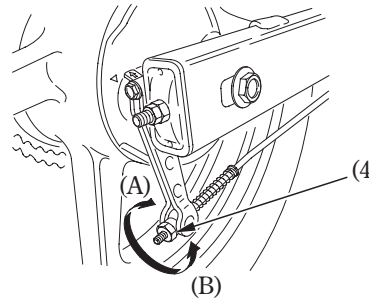
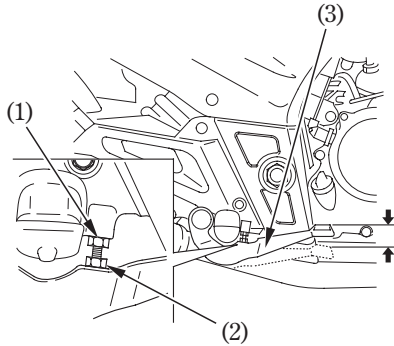
**Adjustment:**

1. Place the motorcycle on its side stand.
2. Measure the distance the rear brake pedal (3) moves before the brake starts to take hold.

Free play should be:

20–30 mm (0.8–1.2 in)

If adjustment is necessary, turn the rear brake adjusting nut (4).



(1) Stopper bolt  
(2) Lock nut

(3) Rear brake pedal

(4) Adjusting nut

(A) Decrease free play  
(B) Increase free play

