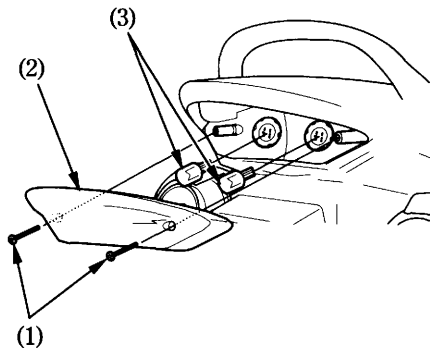


### **Brake/Tail Light Bulb**

1. Remove the screws (1).
2. Remove the taillight lens (2).
3. Pull out the bulbs ( 3 ) without turning.
4. Install a new bulb in the reverse order of removal.



- (1) Screws
- (2) Taillight lens
- (3) Bulbs